



GAM-100

Bluetooth LE Gauge Master for Mitutoyo Gauges

Features

- Frequency: ISM 2.4 GHz
- Standard: Bluetooth 4.0
- Wireless transmission range up to 20 meters(Line of Sight)
- No external power supply or antenna require
- Fully compliant with the Mitutoyo ID-S1012MX or NTD-10-6" PMX
- Provides Battery / RF link indication / Charge LEDs
- Support different sample rate: 1/2/5/10 Hz
- Support Trigger button and 3.5mm foot switch to log data
- Power by micro USB chargeable Li-ion battery
- Battery Usage Life: 100 HR
- Operating temperatures, 0 °C ~ +45 °C
- Support Android APP



Introduction

The GAM-100 is a Bluetooth Low Energy (Bluetooth LE/Bluetooth 4.0) gauge master for Mitutoyo gauges, with SPC output. The gauge master connects Mitutoyo gauges by SPC interface. A smart phone or tablet can use Bluetooth to get Mitutoyo gauge data through the gauge master. With the built-in micro USB chargeable Li-ion battery, the gauge master can work for 100 hours. To get and log the data, an Android APP is designed for a mobile device. The data can be kept in the local memory storage or uploaded to the remote MySQL server.

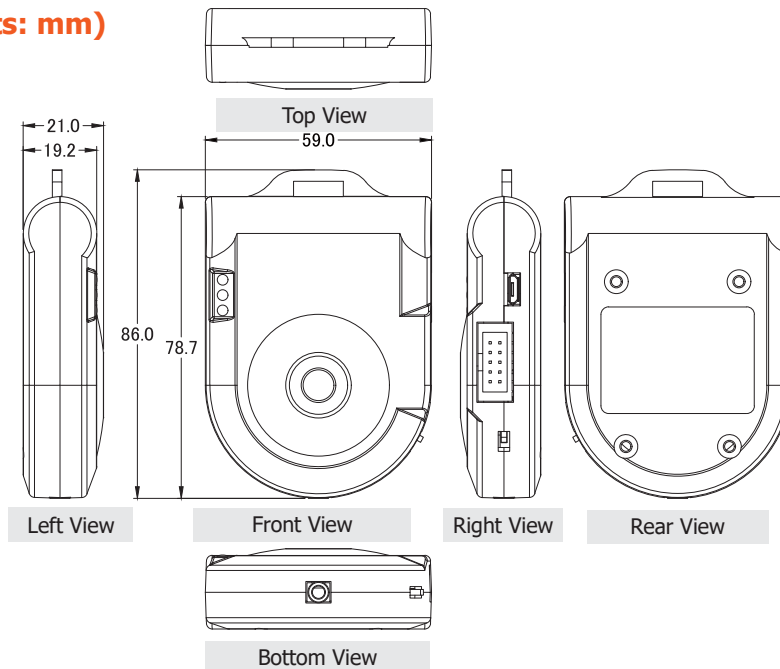
Applications



Specifications

Hardware	
CPU	32 bit, Microprocessor
RF Specification	
Wireless Standard	Bluetooth 4.0
Transmit Range	20 m (LOS)
Antenna	Chip Antenna
Sampling Rate	1, 2, 5, or 10 Hz, configured by APP
Indicator LED	
RF Link LED	Green LED
Battery	RED LED
Battery Charge LED	Orange LED
Sensor	
Type	ID-S1012MX(543-782) NTD 10-6" PMX(573-701)
Range	0.5"/12.7 mm
Resolution	0.01
Sample Rate	10 Hz
Power	
Power Supply	Li-ion battery charged by DC 5V Micro USB interface
Battery Usage Life	100 hours
Mechanism	
Casing	Plastic
Dimensions (W x L x H)	84 mm x 59 mm x 22 mm
Environment	
Operation Temp.	0°C ~ +45°C
Storage Temp.	0°C ~ +45°C
Humidity	10~90% non-condensing

Dimensions (Units: mm)



Ordering Information

GAM-100 CR	Bluetooth LE Gauge Master for Mitutoyo Gauges (RoHS)
-------------------	--